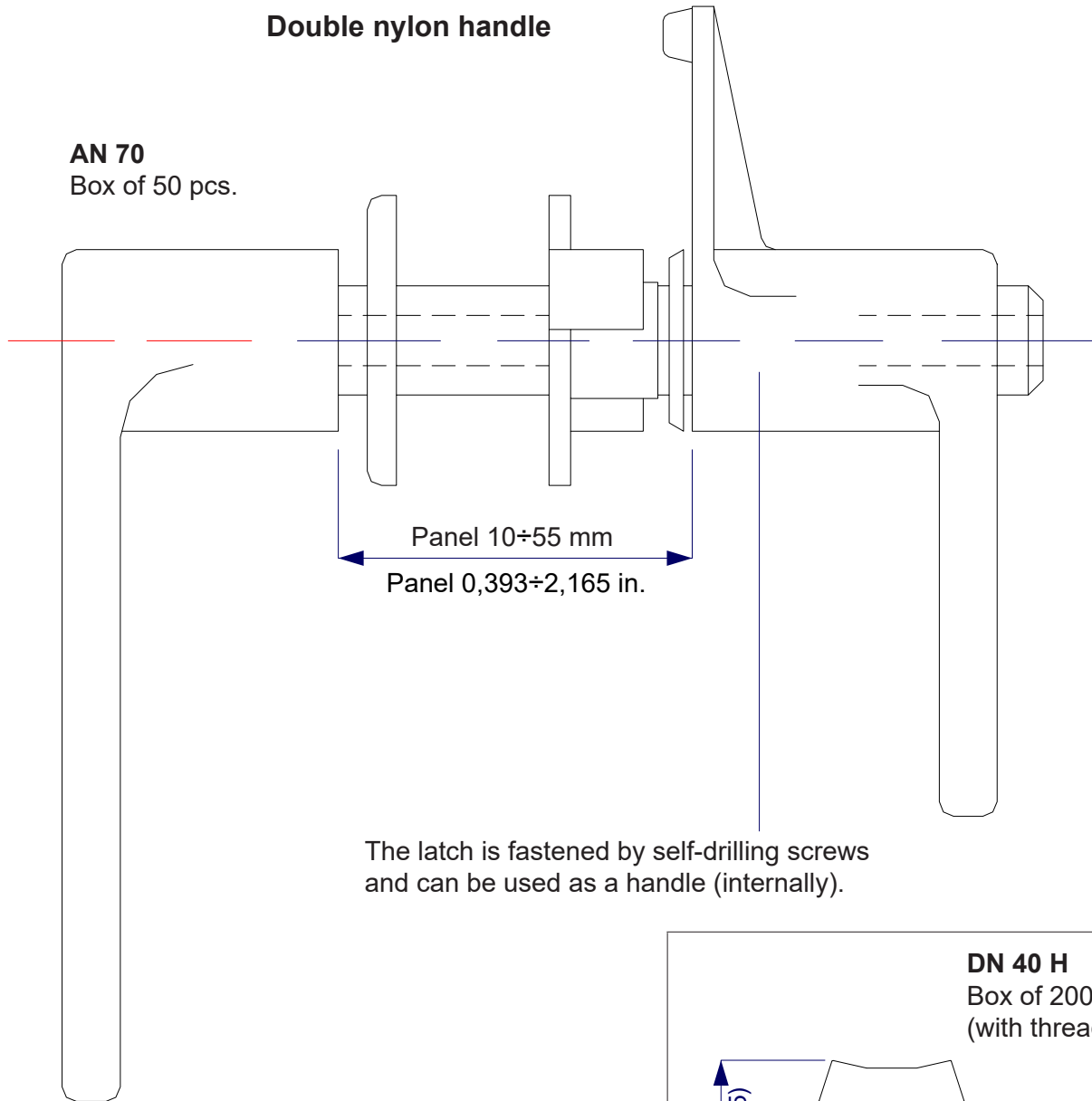


Double nylon handle

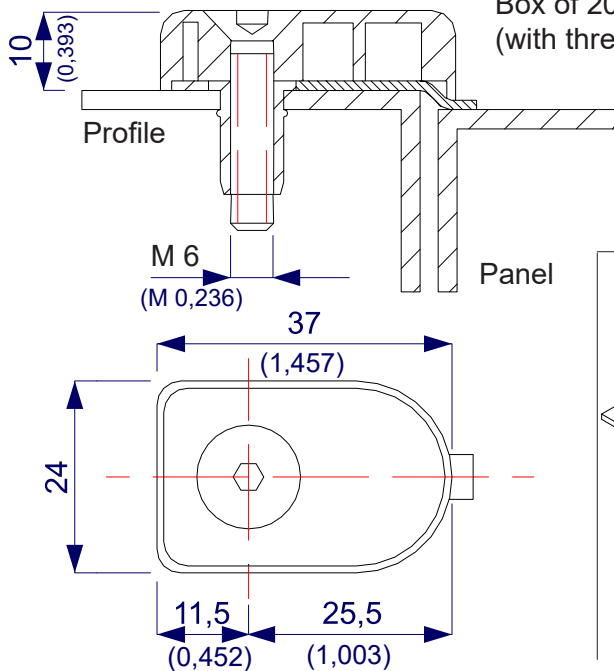
AN 70
Box of 50 pcs.



The latch is fastened by self-drilling screws and can be used as a handle (internally).

Nylon panel stop

DN 40
Box of 200 pcs.
(with threaded insert)



DN 40 H
Box of 200 pcs.
(with threaded insert)

