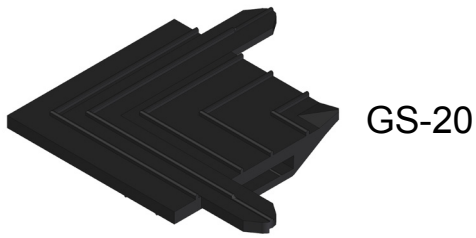


Patent pending gasket system GS-20 & G002



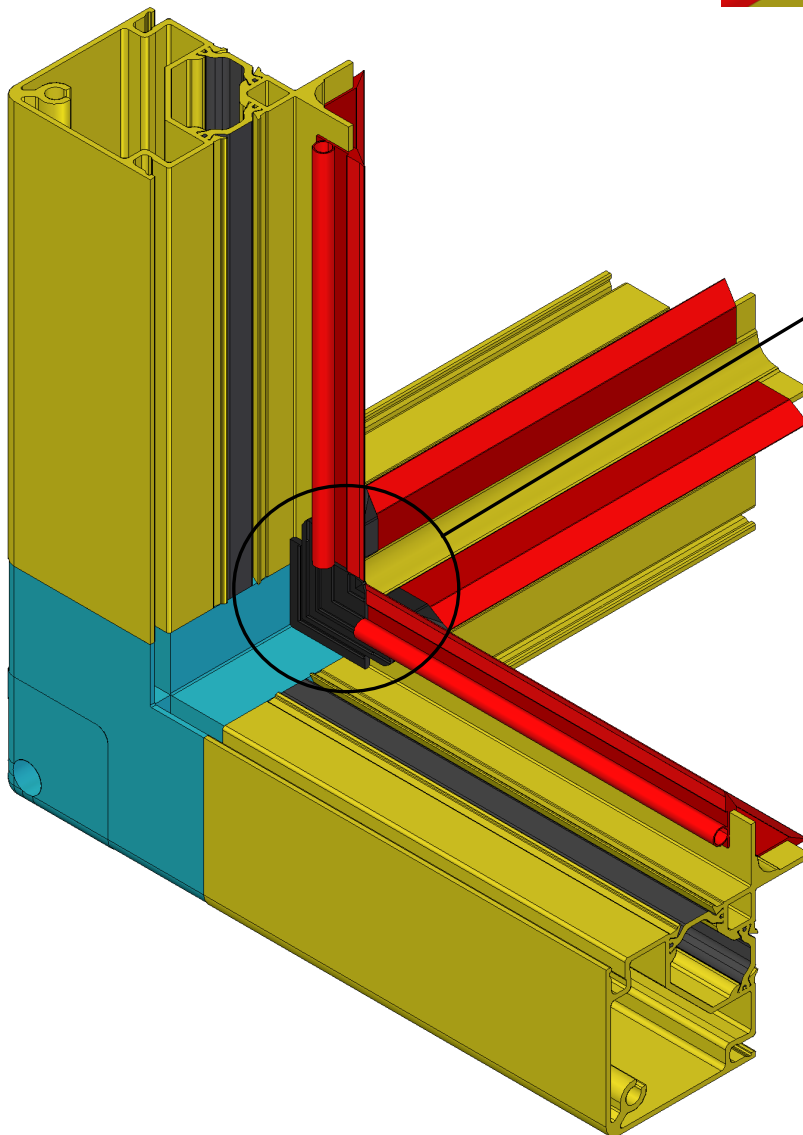
HIGHLIGHTS:- Hermetic seal between aluminium profiles and corners

- Airtight system seal guaranteed on the whole edge surface between panel and frame.
- Smooth surface between profiles /corners an panel for sanitisable AHU.
- Quick and easy installation.
- EPDM gasket with high elastic properties.
- Universal gaskets system for the whole range of profiles
- Low cost components.
- Patent pending elements.



G002

GS-20



The gaskets fit perfectly one each other and they creating a continuous element which determines an absolute air tightness between the surface of the panel and the frame.

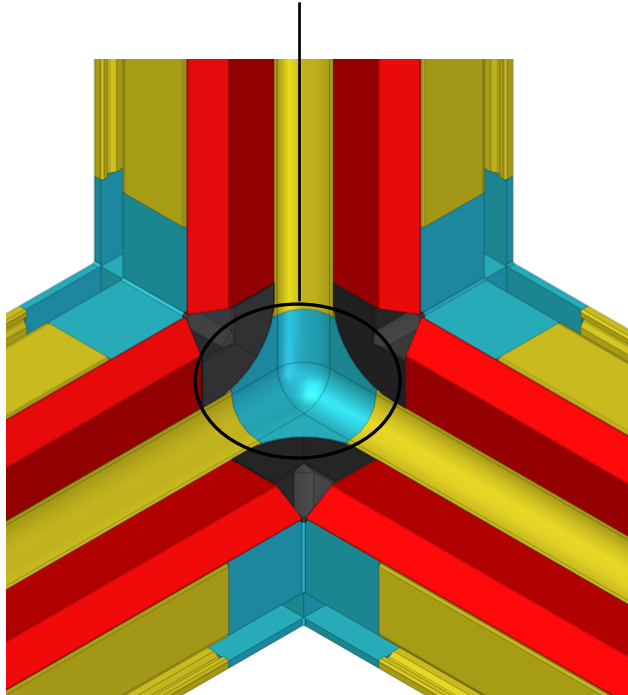
The angular gasket GS-20 is mounted on the corners of the structure to close and seal hermetically the passage of air between profiles and nylon or aluminium corners.

The linear gaskets G002 are mounted on the flanges of profiles and they fit perfectly with gasket GS-20; as a result you will have a single and continuous element (seal gasket) which ensures the air tightness on the whole edge surface between the panel and the frame.

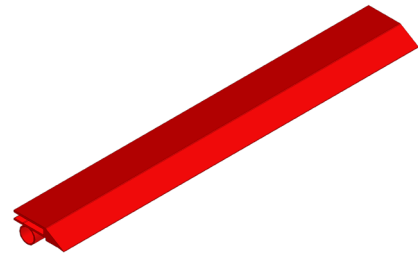
These two elements are practical and fast to assemble: they create a smooth and radius surface between the frame and the panel, so the AHU meets hygiene standard requirements.

The most important feature of these gaskets is that, once they are placed, they adhere perfectly to the flange of the profiles and to the flanges of the corners (snap system); they create a stable system which works perfectly also in case of doors which are open and closed continuously.

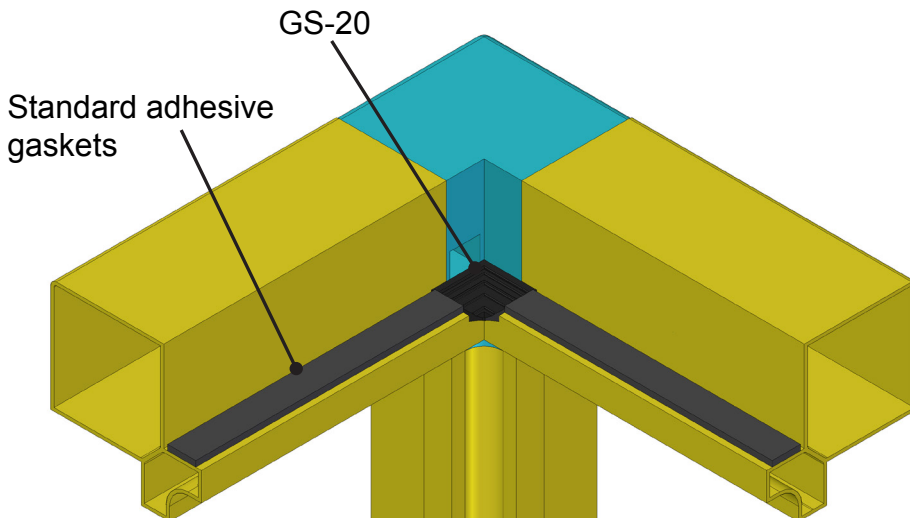
The GS-20 and G002 gaskets together create smooth and radius areas inside the unit, so the AHU meets the hygiene standard requirements.



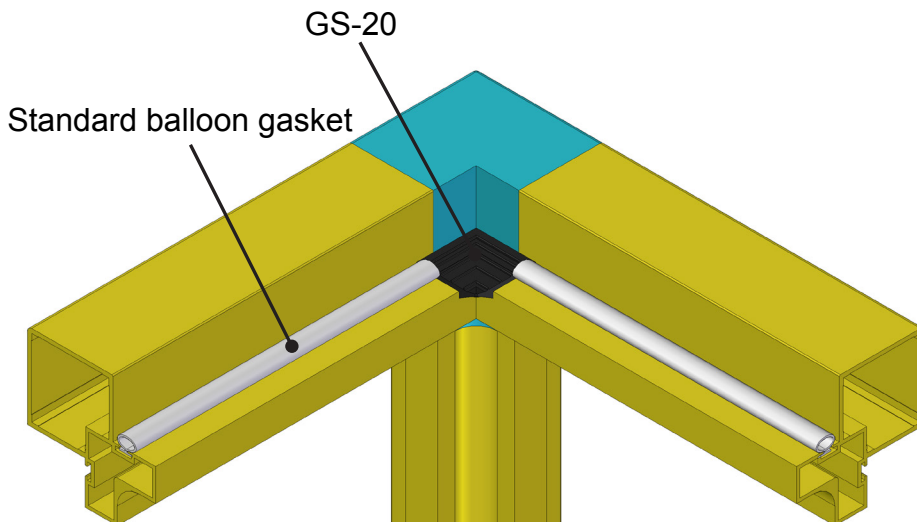
GS-20



G002



Application of angular gasket GS-20 together with standard adhesive gaskets.



Application of angular gasket GS-20 together with standard balloon gasket